

REPLACEMENT PARTS FOR UNIT HEATERS

MODEL UEZ: HIGH-EFFICIENCY, SEPARATED-COMBUSTION, LOW-STATIC



TABLE OF CONTENTS

REFERENCES.....	2
SERIAL NUMBER.....	2
ELECTRICAL COMPONENTS.....	3
FLUE WRAPPER AND VENTER COMPONENTS.....	4
FAN AND MOTOR COMPONENTS.....	6
GAS CONVERSION KITS.....	6
BURNER ASSEMBLY COMPONENTS.....	7
MANUAL SHUTOFF VALVE.....	8
HEAT EXCHANGER COMPONENTS.....	8
CONDENSATE DRAIN KIT (PN 235368) FOR REPLACEMENT HEAT EXCHANGERS.....	9
VENT/COMBUSTION AIR COMPONENTS.....	9
VERTICAL LOUVER ASSEMBLY COMPONENTS.....	10
DOWNTURN NOZZLE ASSEMBLY COMPONENTS.....	11
HANGER KIT COMPONENTS.....	12
THERMOSTAT COMPONENTS.....	12
CABINET COMPONENTS.....	13
RELAY KITS.....	15

IMPORTANT

1. Always include complete model and serial number so that any specification change can be considered for parts replacement. It can save time and expense.
2. In keeping with our policy of continuous product improvement, we reserve the right to alter any information shown here. Specifications are subject to change without notice.
3. We reserve the right to substitute functional replacements.
4. Order by Part Number (PN) not by option designation.

FAN AND MOTOR COMPONENTS

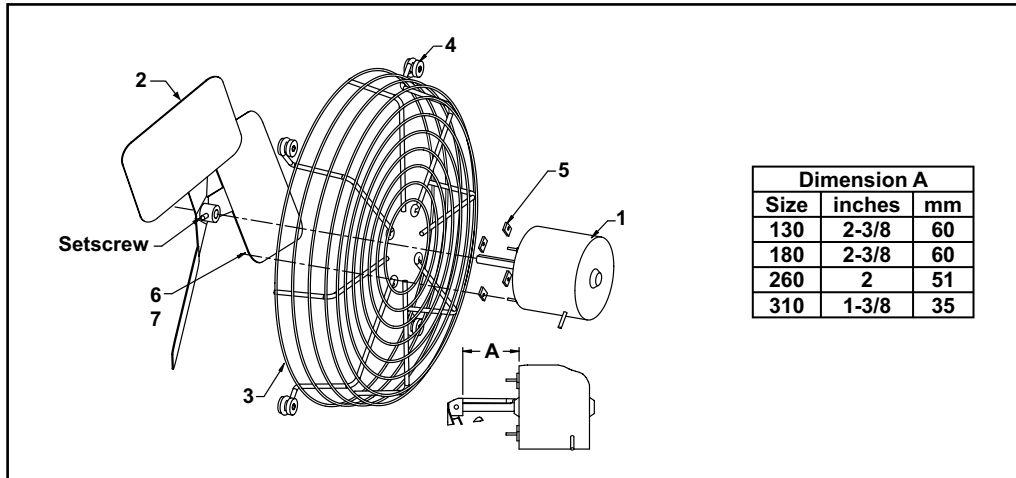


Figure 4. Fan and Motor Components (Refer to Table 5)

Table 5. Fan and Motor Components					
Item No.	Component	Unit Size			
		130	180	260	310
		PN*			
1	Fan motor, 115V	271461			
	Fan motor, 115V, AL14, enclosed	196824		196825	
2	Fan blade	195680**		195683**	209121**
3	Fan guard	170084		170086	
4	Isolator	196348 (4)			
5	Motor spacer	—		204321	
6	Flat washer	204323 (4)			
7	Lock nut	271462 (4)		216942 (4)	
*Quantity is one (1) unless otherwise indicated.					
**Setscrew torque = 130 inch-pounds (±10 inch-pounds).					

GAS CONVERSION KITS

Table 6. Natural Gas to Propane Conversion Kits				
Unit Size				
130	180	260	310	
Kit PN				
261647	1036196R	1036197R	221445	